



HAL
open science

The art to keep in touch: The "good use" of Lagrange multipliers

Antoine Jonquet, Olivier Nocent, Yannick Rémion

► **To cite this version:**

Antoine Jonquet, Olivier Nocent, Yannick Rémion. The art to keep in touch: The "good use" of Lagrange multipliers. *Journal of Virtual Reality and Broadcasting*, 2008, 4. hal-01759578

HAL Id: hal-01759578

<https://hal.univ-reims.fr/hal-01759578v1>

Submitted on 5 Apr 2018

HAL is a multi-disciplinary open access archive for the deposit and dissemination of scientific research documents, whether they are published or not. The documents may come from teaching and research institutions in France or abroad, or from public or private research centers.

L'archive ouverte pluridisciplinaire **HAL**, est destinée au dépôt et à la diffusion de documents scientifiques de niveau recherche, publiés ou non, émanant des établissements d'enseignement et de recherche français ou étrangers, des laboratoires publics ou privés.

The art to keep in touch The “good use” of Lagrange multipliers

Antoine Jonquet, Olivier Nocent and Yannick Remion

CRéSTIC

Reims Institute of Technology

rue des crayères BP 1035, 51687 Reims Cedex 2, FRANCE

+33 (0)3 26 91 84 58, email: jonquet@leri.univ-reims.fr

Abstract

Physically-based modeling for computer animation allows to produce more realistic motions in less time without requiring the expertise of skilled animators. But, a computer animation is not only a numerical simulation based on classical mechanics since it follows a precise story-line. One common way to define aims in an animation is to add geometric constraints. There are several methods to manage these constraints within a physically-based framework. In this paper, we present an algorithm for constraints handling based on Lagrange multipliers. After few remarks on the equations of motion that we use, we present a first algorithm proposed by Platt. We show with a simple example that this method is not reliable. Our contribution consists in improving this algorithm to provide an efficient and robust method to handle simultaneous active constraints.

Keywords: Physically-based animation, constraints, contact simulation

Digital Peer Publishing Licence

Any party may pass on this Work by electronic means and make it available for download under the terms and conditions of the current version of the Digital Peer Publishing Licence (DPPL). The text of the licence may be accessed and retrieved via Internet at <http://www.dipp.nrw.de/>.

First presented at the First International Conference on Computer Graphics Theory and Applications (GRAPP 2007), extended and revised for JVRB

1 Introduction

For about two decades, the computer graphics community has investigated the field of physics in order to produce more and more realistic computer animations. In fact, physically-based modeling in animation allows to generate stunning visual effects that would be extremely complex to reproduce *manually*. On one hand, the addition of physical properties to 3D objects automates the generation of motion just by specifying initial external forces. On the other hand, physically-based animations are even more realistic than traditional key-framed animations that require the expertise of many skilled animators. As a consequence, the introduction of physically-based methods in modeling and animation significantly reduced the cost and production time of computer generated movies. But, one main drawback of this kind of framework is that it relies on heavy mathematics usually hard to tackle for a computer scientist. A second main disadvantage concerns the input of a physically-based animation: in fact, forces and torques are not really *user-friendly* since it is really difficult to anticipate a complex motion just by specifying an initial set of external forces.

A computer animation is definitely not a numerical simulation because it follows a story-line. According to Demetri Terzopoulos [TPB⁺89], an animation is simulation plus control. One way to ensure that the objects fulfill the goals defined by the animator is to use geometric constraints. A constraint is an equality or an inequality that gathers different parameters of the animation like the total time elapsed, the positions or the orientations of the moving objects. In a less general way, mechanical simulations also benefit from the use of constraints in order to prevent interpenetration

between physical objects for example.

There are several methods to handle constraints, summarized in a survey paper by Baraff [Bar93]. But, since our research work is mostly devoted to mechanical simulation, we decided to focus on the use of *Lagrange multipliers* to manage geometric constraints. In fact, numerical simulations require robust and reliable techniques to ensure that the constraints are never violated. Moreover, with this method we are also able to measure the amount of strain that is necessary to fulfill a given constraint. In this paper, we present a novel algorithm to manage efficiently several simultaneous active geometric constraints. We begin by detailing the physical equations that we use before presenting Platt's algorithm [Pla92] that is the only algorithm of this type based on Lagrange multipliers. With a simple example, we demonstrate that this algorithm is not suitable for handling simultaneous active constraints. We then introduce our own contribution in order to show how to improve Platt's algorithm to make it reliable, robust and efficient.

2 Lagrange equations of motion

Lagrangian dynamics consist in an extension of newtonian dynamics allowing to generate a wide range of animations in a more efficient way. In fact, Lagrange equations of motion rely on a set of unknowns, denoted as a state vector \mathbf{x} of *generalized coordinates*, that identifies the real degrees of freedom (DOF) of the mechanical systems involved. Within this formalism, the DOF are not only restricted to rotations or translations. For example, a parameter $u \in [0, 1]$ which gives the relative position of a point along a 3D parametric curve can be considered as a single generalized coordinate.

2.1 Unconstrained motion

The evolution of a free mechanical system only subject to a set of external forces is ruled by the Lagrange equations of motion (1).

$$\mathbf{M} \ddot{\mathbf{x}} = \mathbf{f} \quad (1)$$

\mathbf{M} is the *mass matrix*. $\ddot{\mathbf{x}}$ is the second time derivative of the state vector. Finally, the vector \mathbf{f} corresponds to the sum of external forces. For more details concerning this formalism, we suggest to read [Gol80] and [Arn89].

2.2 Constrained motion

By convention, an equality constraint will always be defined as in equation (2) where \mathcal{E} is the set of indices of all the equality constraints.

$$g_k(\mathbf{x}) = 0 \quad \forall k \in \mathcal{E} \quad (2)$$

Constraints restrict the set of reachable configurations to a subspace of \mathbb{R}^n where n is the total number of degrees of freedom. As mentioned before, there exists three main methods to integrate constraints in equation (1)

The projection method consists in modifying the state vector \mathbf{x} and its first time derivative $\dot{\mathbf{x}}$ in order to fulfill the constraint. This modification can be performed with an iterative method like the Newton-Raphson method [VF02]. Even if this method is very simple and seems to ensure an instantaneous constraint fulfillment, it is not robust enough: indeed it can not guarantee that the process converges in the case of simultaneous active constraints.

The penalty method adds new external forces, acting like virtual springs, in order to minimize the square of the constraint equation, considered as a positive energy function. The main advantage of this method is its compatibility with any dynamic engine since it only relies on forces. But this method leads to inexact constraint fulfillment, allowing interpenetration between the physical objects. In order to diminish this interpenetration, the stiffness of the virtual springs must be significantly increased, making the numerical system unstable.

The Lagrange method consists in calculating the exact amount of strain, denoted as the *Lagrange multiplier*, needed to fulfill the constraint. This method guarantees that constraints are always exactly fulfilled. Since the use of Lagrange multipliers introduces a set of new unknowns, equation (1) must be completed by a set of new equations, increasing the size of the initial linear system to solve. But we consider that this method is most suitable for efficiently managing geometric constraints.

For all the reasons mentioned above, we chose the Lagrange method to manage our geometric constraints. According to the principle of virtual work,

each constraint g_k adds a new force perpendicular to the tangent space of the surface $g_k(\mathbf{x}) = 0$. The Lagrange multiplier λ_k corresponds to the intensity of the force related to the constraint g_k . With these new forces, equation (1) is modified as follows:

$$\mathbf{M} \ddot{\mathbf{x}} = \mathbf{f} + \sum_{k \in \mathcal{E}} \lambda_k \frac{\partial g_k}{\partial \mathbf{x}} \quad (3)$$

We add new equations to our system by calculating the second time derivative of equation (2), leading to equation (4).

$$\sum_{i=1}^n \frac{\partial g_k}{\partial x_i} \ddot{x}_i = - \sum_{i,j=1}^n \frac{\partial^2 g_k}{\partial x_i \partial x_j} \dot{x}_i \dot{x}_j \quad \forall k \in \mathcal{E} \quad (4)$$

In order to correct the numerical deviation due to round-off errors, Baumgarte proposed in [Bau72] a constraint stabilization scheme illustrated by equation (5). The parameter τ^{-1} can be seen as the speed of constraint fulfillment.

$$\sum_{i=1}^n \frac{\partial g_k}{\partial x_i} \ddot{x}_i = - \sum_{i,j=1}^n \frac{\partial^2 g_k}{\partial x_i \partial x_j} \dot{x}_i \dot{x}_j - \frac{2}{\tau} \sum_{i=1}^n \frac{\partial g_k}{\partial x_i} \dot{x}_i - \frac{1}{\tau^2} g_k \quad (5)$$

When we mix equations (1) and (5), we obtain a linear system where the second time derivative of the state vector \mathbf{x} and the vector of Lagrange multipliers Λ are the unknowns.

$$\begin{bmatrix} \mathbf{M} & -\mathbf{J}^T \\ -\mathbf{J} & \mathbf{0} \end{bmatrix} \begin{bmatrix} \ddot{\mathbf{x}} \\ \Lambda \end{bmatrix} = \begin{bmatrix} \mathbf{f} \\ -\mathbf{d} \end{bmatrix} \quad (6)$$

\mathbf{J} is the jacobian matrix of all the geometric constraints and \mathbf{d} corresponds to the right term of equation (5).

2.3 Inequality constraints management

By convention, an inequality constraint will always be defined as in equation (7) where \mathcal{F} is the set of indices of all the inequality constraints.

$$g_k(\mathbf{x}) \geq 0 \quad \forall k \in \mathcal{F} \quad (7)$$

For a given state vector \mathbf{x} , we recall the following definitions:

- the constraint is said to be *violated* by \mathbf{x} when $g_k(\mathbf{x}) < 0$. This means that the state vector \mathbf{x} corresponds to a non allowed configuration.
- the constraint is said to be *satisfied* by \mathbf{x} when $g_k(\mathbf{x}) \geq 0$.
- the constraint is said to be *active* when $g_k(\mathbf{x}) = 0$. In this case, the state vector \mathbf{x} belongs to the boundary of the subspace defined by the inequality constraint g_k .

The management of inequality constraints is more difficult than the management of equality constraints. An inequality constraint must be handled only if it is violated or active. In fact, the algorithm is a little more complicated as we explain in the next sections.

That is why we define two subsets within \mathcal{F} : \mathcal{F}^+ is the set of indices of all handled inequality constraints and \mathcal{F}^- is the set of indices of ignored inequality constraints. Finally, we have $\mathcal{F} = \mathcal{F}^- \cup \mathcal{F}^+$. The jacobian matrix of constraints \mathbf{J} of equation (6) is built from all the constraints g_k where $k \in \mathcal{E} \cup \mathcal{F}^+$.

3 Previous work

Within the computer graphics community, the main published method devoted to inequality constraints management using Lagrange multipliers, known as “Generalized Dynamic Constraints”, was proposed by Platt in [Pla92]. In his paper, he describes how to use Lagrange multipliers to assemble and simulate collisions between numerical models. This method is an extension of the work of Barzel and Barr [BB88] that specifies how constraints must be satisfied. Moreover, Platt proposes a method to update \mathcal{F}^+ (the set of handled inequality constraints) during the animation. This algorithm can be compared to classical *active set methods* [Bjö96, NW00].

We do not focus on collision detection that is a problem by itself. We are aware that this difficult problem can be solved in many ways, we encourage the reader to refer to the survey paper by Teschner et al. [TKZ⁺05]. During the collision detection stage, we assume that the dynamic engine may rewind time until the first constraint activation is detected. This assumption can produce an important computational overhead that can restrict our method to off-line animations production depending on the complexity of the scene simulated. In any case, this stage ensures that constraints

are never violated. But, it is possible that several constraints are activated simultaneously. The main topic of this paper is to provide a reliable algorithm to handle these multiple active constraints in an efficient way.

At the beginning of the animation, Platt populates the set \mathcal{F}^+ with all the active constraints.

Algorithm 1– Platt’s algorithm

- 1 Solve equation (6) to get $\ddot{\mathbf{x}}$ and Λ
 - 2 Update \mathbf{x} and $\dot{\mathbf{x}}$ (numerical integration)
 - 3 **for each** $k \in \mathcal{F}$ **do**
 - 4 **if** $k \in \mathcal{F}^+$ **then**
 - 5 **if** $\lambda_k \leq 0$ **then**
 - 6 k is moved to \mathcal{F}^-
 - 7 **else**
 - 8 **if** $g_k(\mathbf{x}) < 0$ **then**
 - 9 g_k is moved to \mathcal{F}^+
-

For each time step, according to algorithm 1, we solve equation (6) and update the state vector in order to retrieve new positions and velocities at the end of the current time step. We then check the status of each inequality constraint. If a constraint g_k is active, it is still handled until its Lagrange multiplier is negative or null, that is to say that the Lagrange multiplier corresponds to a force that prevents from deactivation. According to the new values of the state vector \mathbf{x} , if the previously inactive constraint g_k is now violated ($g_k(\mathbf{x}) < 0$), the constraint must be added to \mathcal{F}^+ in order to prevent the system to enter in such a configuration.

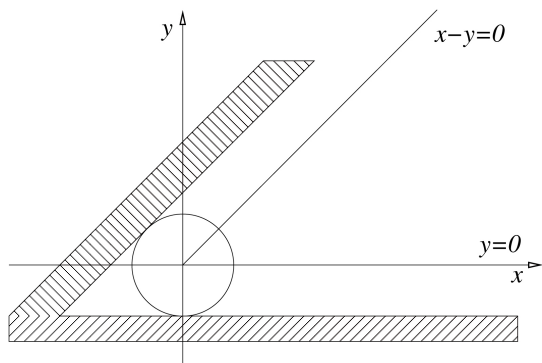


Figure 1: A simple example with two simultaneous active constraints

Even if this algorithm seems to give a reliable solution for inequality constraints handling, some prob-

lems remain. We set up a simple scene as in figure 1 to illustrate the insufficiencies of Platt’s method. A particle of mass m is constrained to slide on a 2D plane. It starts from an acute-angle corner modeled by two linear inequality constraints $g_1(\mathbf{x}) \geq 0$ and $g_2(\mathbf{x}) \geq 0$ where $g_1(\mathbf{x}) = x - y$ and $g_2(\mathbf{x}) = y$. Finally, this particle is subject to a single external force $\mathbf{f} = (2, -1)$. In this particular case, the state vector \mathbf{x} is composed of the 2D coordinates (x, y) of the particle. According to equation (1), the generalized mass matrix for this system is defined by:

$$\mathbf{M} = \begin{bmatrix} m & 0 \\ 0 & m \end{bmatrix} \quad (8)$$

As the geometric constraints $g_1(\mathbf{x})$ and $g_2(\mathbf{x})$ are linear, their first and second time derivative do not produce any deviation term defined in equation (5):

$$\mathbf{d} = \begin{bmatrix} 0 \\ 0 \end{bmatrix} \quad (9)$$

According to the initial value of the state vector $\mathbf{x} = (0, 0)$, the two constraints $g_1(\mathbf{x})$ and $g_2(\mathbf{x})$ are active, so their indices are inserted in \mathcal{F}^+ and \mathbf{J} , the jacobian matrix of constraints, is defined as follows:

$$\mathbf{J} = \begin{bmatrix} 1 & -1 \\ 0 & 1 \end{bmatrix} \quad (10)$$

From equations (6) (8) (9) and (10), we obtain a linear system whose unknowns are the second time derivative of the state vector \mathbf{x} and the two Lagrange multipliers λ_1 and λ_2 associated with g_1 and g_2 :

$$\begin{bmatrix} m & 0 & -1 & 0 \\ 0 & m & 1 & -1 \\ -1 & 1 & 0 & 0 \\ 0 & -1 & 0 & 0 \end{bmatrix} \begin{bmatrix} \ddot{x} \\ \ddot{y} \\ \lambda_1 \\ \lambda_2 \end{bmatrix} = \begin{bmatrix} 2 \\ -1 \\ 0 \\ 0 \end{bmatrix} \quad (11)$$

The solutions are $\ddot{\mathbf{x}} = (0, 0)$ and $\Lambda = (-2, -1)$. The particle does not move during this time step because \ddot{x} and \ddot{y} are null. But, since λ_1 and λ_2 are both negative, their corresponding constraints are moved to \mathcal{F}^- . This means that, for the next time step, the system will be free of any constraints. As the force remains constant, the next value of $\ddot{\mathbf{x}}$ will be equal to $(2m^{-1}, -m^{-1})$. These values will lead to an illegal position of the particle, under the line $y = 0$. These computations are illustrated by the figure 2.

The amount of violation of the constraint $g_2(\mathbf{x}) = y$ mainly depends on the ratio between the mass m of the particle and the intensity of the external force \mathbf{f} .

Section 5 of this paper presents the different results and comparisons.

4 Our contribution

4.1 A first approach

The problem of Platt's method relies on the fact that it keeps some inequality constraints in \mathcal{F}^+ that should be ignored. In fact, the condition $g_k(\mathbf{x}) < 0$ used to populate \mathcal{F}^+ with inequality constraints is not well suited and an alternative approach is proposed. A solution would be to replace the condition $g_k(\mathbf{x}) < 0$ by a violation tendency condition expressed as $J_k\ddot{\mathbf{x}} < d_k$. An active constraint that does not fulfill the violation tendency condition will be satisfied but inactive during the next time step and does not have to be handled.

At the beginning of the animation, we solve equation (1) to get $\ddot{\mathbf{x}}$ and we then populate the set \mathcal{F}^+ with the active constraints that fulfill the violation tendency condition. It is clear that we handle less constraints than Platt because our criteria is more restrictive.

We briefly verify that this algorithm gives a correct solution to our example illustrated in figure 1. According to equation (1), $\ddot{\mathbf{x}} = (2m^{-1}, -m^{-1})$. The two constraints g_1 and g_2 are active because $\mathbf{x} = (0, 0)$ but only g_2 fulfills the violation tendency condition as mentioned in equation (12).

$$\begin{aligned} J_1\ddot{\mathbf{x}} = 3m^{-1} &\Rightarrow 1 \in \mathcal{F}^- \\ J_2\ddot{\mathbf{x}} = -m^{-1} &\Rightarrow 2 \in \mathcal{F}^+ \end{aligned} \quad (12)$$

In this special case, equation (6) becomes:

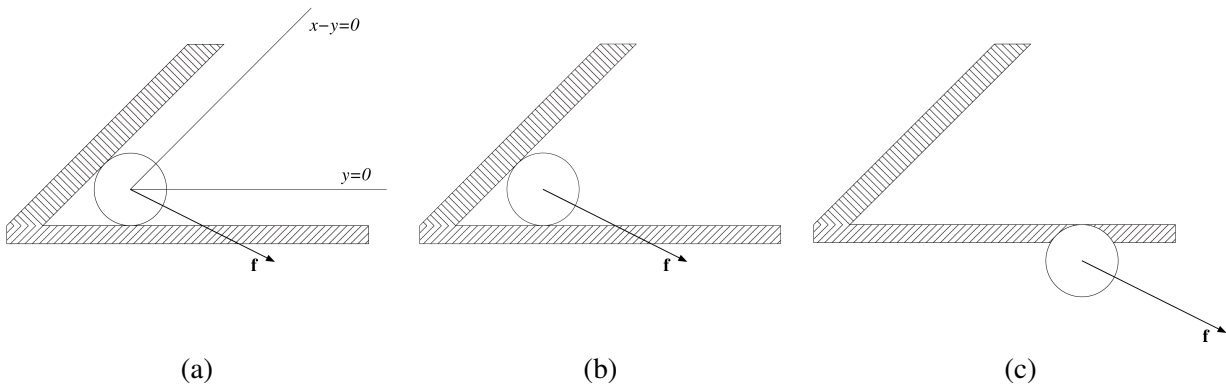


Figure 2: (a) Since the two constraints are active, they handle by Platt's algorithm (b) The related Lagrange multipliers are negative, the constraints are then ignored (c) The new unconstrained acceleration leads to an illegal position

Algorithm 2– Platt's improved algorithm

- 1 Solve equation (6) to get $\ddot{\mathbf{x}}$ and Λ
 - 2 Update \mathbf{x} and $\dot{\mathbf{x}}$ (numerical integration)
 - 3 **for each** $k \in \mathcal{F}$ **do**
 - 4 **if** $k \in \mathcal{F}^+$ **then**
 - 5 **if** $\lambda_k \leq 0$ **then**
 - 6 k is moved to \mathcal{F}^-
 - 7 **else**
 - 8 **if** $J_k\ddot{\mathbf{x}} < d_k$ **then**
 - 9 k is moved to \mathcal{F}^+
-

$$\begin{bmatrix} m & 0 & 0 \\ 0 & m & -1 \\ 0 & -1 & 0 \end{bmatrix} \begin{bmatrix} \ddot{x} \\ \ddot{y} \\ \lambda_2 \end{bmatrix} = \begin{bmatrix} 2 \\ -1 \\ 0 \end{bmatrix} \quad (13)$$

The solutions of the linear system (13) are $\ddot{\mathbf{x}} = (2m^{-1}, 0)$ and $\lambda_2 = 1$. Finally, the particle will slide along the x -axis without crossing the line $y = 0$ because the constraint g_1 that was not handled did not introduce a false response.

This new algorithm seems to manage multiple inequality constraints in a good way, but we could highlight a problem with this method by using the same example illustrated in figure 1 with a new external force $\mathbf{f} = (-1, -2)$.

At the beginning, since $\mathbf{x} = (0, 0)$, the constraints g_1 and g_2 are active. From equation (1), we obtain that $\ddot{\mathbf{x}} = (-m^{-1}, -2m^{-1})$, and from equation (14) that only the constraint g_2 is handled.

$$\begin{aligned} J_1\ddot{\mathbf{x}} = m^{-1} &\Rightarrow 1 \in \mathcal{F}^- \\ J_2\ddot{\mathbf{x}} = -2m^{-1} &\Rightarrow 2 \in \mathcal{F}^+ \end{aligned} \quad (14)$$

According to equation (14), we build the linear system (15).

$$\begin{bmatrix} m & 0 & 0 \\ 0 & m & -1 \\ 0 & -1 & 0 \end{bmatrix} \begin{bmatrix} \ddot{x} \\ \ddot{y} \\ \lambda_2 \end{bmatrix} = \begin{bmatrix} -1 \\ -2 \\ 0 \end{bmatrix} \quad (15)$$

The solutions are $\ddot{\mathbf{x}} = (-m^{-1}, 0)$ and $\lambda_2 = 2$. After the update of \mathbf{x} and $\dot{\mathbf{x}}$, the particle slides through the plane defined by the constraint g_1 and reaches an illegal state. This is due to the fact that the Lagrange multiplier λ_2 pushes the system in an illegal state according to the constraint g_1 , which was not previously inserted in equation (6) as it did not satisfy the violation tendency criterion. These computations are again illustrated by the figure 3.

4.2 The “right” algorithm

The use of the violation tendency condition $J_k \ddot{\mathbf{x}} < d_k$ improves simultaneous active constraints management, since only the appropriate inequality constraints are handled by equation (6). But we have seen, from the second example, that it is not sufficient to produce a consistent configuration. In fact, the constraints from \mathcal{F}^+ that fulfill the violation tendency condition will produce a vector Λ of Lagrange multipliers that prevent the system from being in an illegal configuration according to these handled constraints. In the meantime, the constrained accelerations $\ddot{\mathbf{x}}$ of the system could lead to an illegal configuration according to some constraints in \mathcal{F}^- . The only way to deal with this problem is to use the newly computed constrained accelerations to test if the active inequality constraints

g_k (where $k \in \mathcal{F}^-$) fulfill the violation tendency condition and have to be handled. We then need to introduce an iterative process that computes the accelerations and checks if a previously ignored constrained must be handled or not according to the violation tendency condition evaluated with the newly computed constrained accelerations. This process is repeated until the system reaches the appropriate state.

We propose a simple and efficient solution to the inequality constraints handling problem. At the beginning of each time step, all active inequality constraints g_k are detected, and \mathcal{F}^+ is emptied. We then begin an iterative process that runs until there is no new insertion in \mathcal{F}^+ . The constrained accelerations $\ddot{\mathbf{x}}$ are computed from equation (6) and the violation tendency condition $J_k \ddot{\mathbf{x}} < d_k$ is tested on each active inequality constraint. For any inequality constraint g_k that fulfills the condition, we insert its index k in \mathcal{F}^+ and start another iterative step.

Algorithm 3– The right algorithm

```

1 repeat
2   Solve equation (6) to get  $\ddot{\mathbf{x}}$  and  $\Lambda$ 
3   for each active constraint  $g_k$  do
4     if  $J_k \ddot{\mathbf{x}} < d_k$  then
5        $k$  is moved to  $\mathcal{F}^+$ 
6 until  $\mathcal{F}^+$  has not been updated;
7 Update  $\mathbf{x}$  and  $\dot{\mathbf{x}}$  (numerical integration)

```

Since we begin with no constraints and that only appropriate inequality constraints are inserted to \mathcal{F}^+ during the iterative process, the last computation of $\ddot{\mathbf{x}}$ and Λ from equation (6) will lead to an accurate configuration of the system. Moreover, this process guarantees

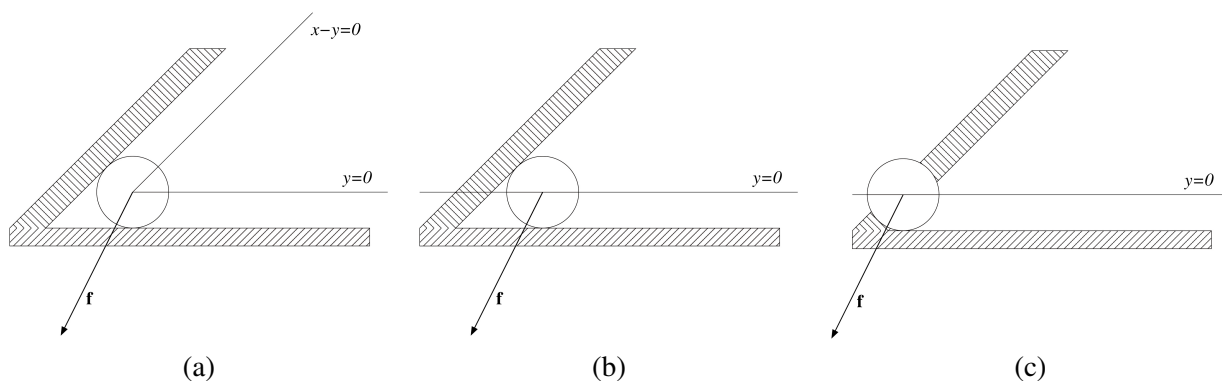


Figure 3: (a) The two constraints are handled since they are active (b) According to the violation tendency condition, only the constraint g_2 still handled (c) The newly computed constrained acceleration leads to an illegal position

the convergence towards a consistent configuration as we begin from an empty \mathcal{F}^+ and only add new constraint indices in \mathcal{F}^+ .

In a recent communication [RF06], Raghupathi presented a method also based on Lagrange multipliers. For realtime considerations, they do not allow the dynamic engine to rewind time to get back to the first constraint activation. They have to manage constraints at the end of the time step, trying to find the right accelerations to ensure constraints fulfillment. They also confess that this process is not guaranteed to converge for a given situation.

5 Results and Comparisons

We will now compare the results obtained with Platt’s algorithm and our method, using the example illustrated in figure 1. Figure 4 and 5 illustrate a compari-

son of the positions and accelerations along y -axis of a particle of mass $m = 2$ and $m = 3$. We recall that the inequality constraint g_2 forbids negative values for y and that the constant force \mathbf{f} applied to the particle is equal to $(2, -1)$.

As shown on figure 4, Platt’s algorithm holds the particle in the corner at the first time step, and releases it at the next time step. As a consequence, the particle evolves in an illegal state during the following steps. With a mass $m = 2$, the error related to the position is less than 10^{-5} with an oscillating acceleration (right column). But if we set the mass m to 3, as shown in the figure 5, errors are much more important, and the particle crosses the line $y = 0$ modeled by the constraint g_2 .

As illustrated, our algorithm keeps the particle along the x -axis within a controlled numerical error value, that is less than 10^{-8} in these examples.

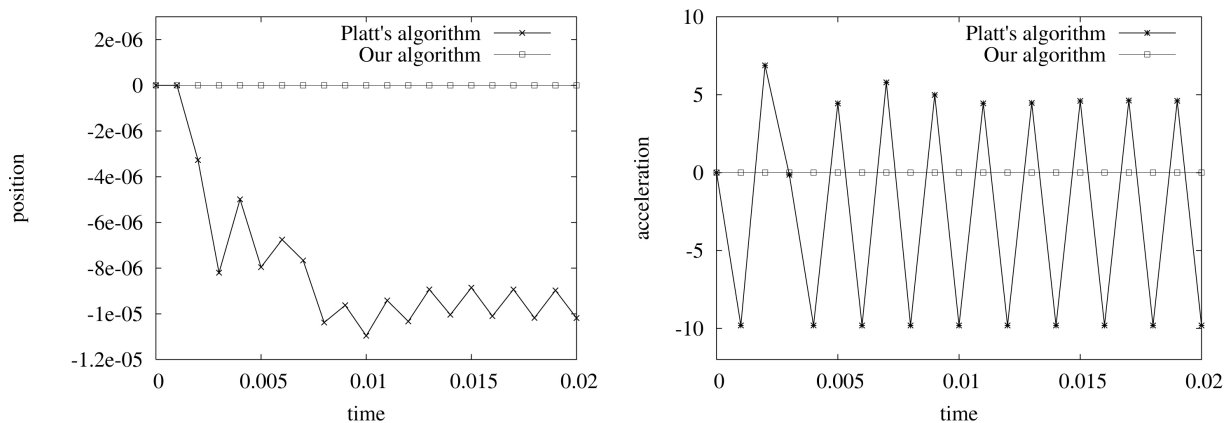


Figure 4: Comparison of Platt’s algorithm and our method using the example illustrated in figure 1 with a mass $m = 2$. The numerical values correspond respectively to position and acceleration along the y -axis

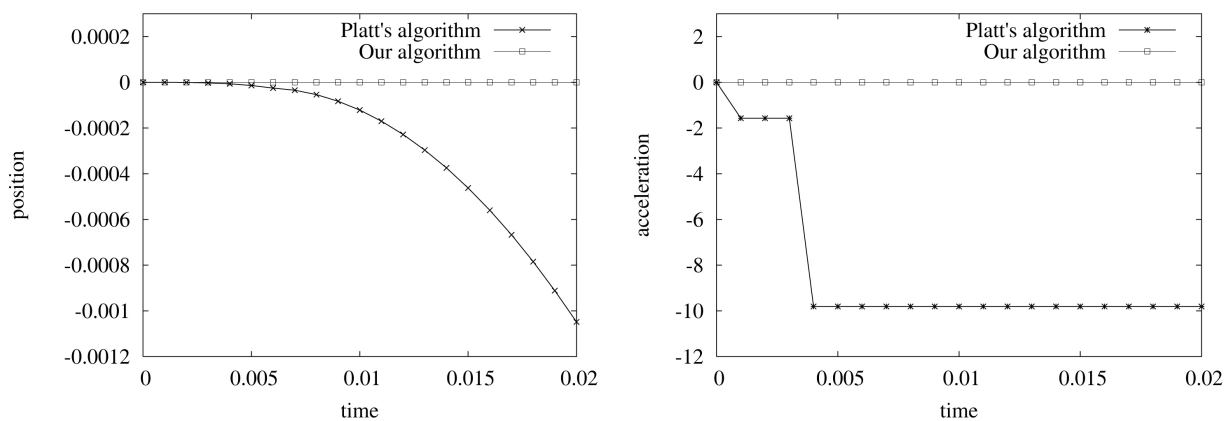


Figure 5: Comparison of Platt’s algorithm and our method using the example illustrated in figure 1 with a mass $m = 3$. The numerical values correspond respectively to position and acceleration along the y -axis

To illustrate multiple contact constraints, we have set a billiard scene composed of 10 fixed balls placed in a corner and a moving ball that slides towards them. For each ball, we define two inequality constraints according to the corner and one inequality constraint for each pair of balls based on their in-between distance. This example is finally composed of 11 balls and 77 inequality constraints (figure 6).

It is rather difficult to compare the computation times of Platt's algorithm and ours since the simulations made of simultaneous active constraints are not well handled by Platt's algorithm and produce corrupted numerical values that can lead to infinite loops. But it is quite clear that in the worst case, our method may solve n linear systems of increasing size where n is the total number of inequality constraints. The complexity of our solution is then higher than Platt's algorithm. But we recall that our main contribution is not to speed up an existing method but to propose a reliable algorithm mainly dedicated to off-line simulations.

6 Conclusion

In this paper, we presented a novel algorithm to manage simultaneous active inequality constraints. Among all the existing methods to handle constraints within a physically-based animation, we focused on the Lagrange method which provides a reliable way to ensure that constraints are always exactly fulfilled. But, in the special case of several active inequality constraints, we have to take care on how to handle these simultaneous constraints. Platt proposed an algorithm based on Lagrange multipliers but we showed that this method is unable to solve even simple examples. We then explained how to improve this algorithm in order to propose a new reliable and efficient method for inequality constraints handling. Beyond the example illustrated in figure 1, we produced a short movie simulating a billiard game. Some snapshots are gathered in figure 6.

References

[Arn89] Vladimir I. Arnold, *Mathematical Methods of Classical Mechanics*, 2nd ed., Graduate Texts in Mathematics, vol. 60, Springer Verlag, New York, 1989, ISBN 0-387-96890-3.

[Bar93] David Baraff, *Non-penetrating rigid body simulation*, State of the Art Reports, Eurographics '93, September 1993.

[Bau72] J. Baumgarte, *Stabilization of constraints and integrals of motion in dynamical systems*, Computer Methods in Applied Mechanics and Engineering **1** (1972), 1–16, ISSN 0045-7825.

[BB88] Ronen Barzel and Alan H. Barr, *A modeling system based on dynamic constraints*, SIGGRAPH '88: Proceedings of the 15th annual conference on Computer graphics and interactive techniques (New York, NY, USA), ACM Press, 1988, ISBN 0-89791-275-6, pp. 179–188.

[Bjö96] Åke Björck, *Numerical Methods for Least Squares Problems*, SIAM, Philadelphia, Penn., 1996, ISBN 0-89871-360-9.

[Gol80] Herbert Goldstein, *Classical Mechanics*, 2nd ed., Addison–Wesley, Reading, MA, U.S.A., 1980, ISBN 0-321-18897-7.

[NW00] Jorge Nocedal and Stephen J. Wright, *Numerical Optimization*, Springer, New York, 2000, ISBN 0-387-98793-2.

[Pla92] John C. Platt, *A Generalization of Dynamic Constraints*, CVGIP: Graphical Models and Image Processing **54** (1992), no. 6, 516–525, ISSN 1049-9652.

[RF06] Laks Raghupathi and François Faure, *QP-Collide: A New Approach to Collision Treatment*, Journées du groupe de travail Animation et Simulation (GTAS), Annual French Working group on Animation and Simulation, Institut de Recherche en Informatique de Toulouse, June 2006, pp. 91–101.

[TKZ⁺05] Matthias Teschner, Stefan Kimmerle, Gabriel Zachmann, Bruno Heidelberger, Laks Raghupathi, Anton L. Fuhrmann, Marie-Paule Cani, François Faure, Nadia Magnétat-Thalmann, and Wolfgang Strasser, *Collision Detection for Deformable Objects*, vol. 24, Computer Graphics Forum, no. 1, March 2005, ISSN 0167-7055, pp. 61–81.

- [TPB⁺89] Demetri Terzopoulos, John C. Platt, Alan H. Barr, David Zeltzer, Andrew Witkin, and Jim Blinn, *Physically-based modeling: past, present, and future*, SIGGRAPH '89: ACM SIGGRAPH 89 Panel Proceedings (New York, NY, USA), ACM Press, 1989, ISBN 0-89791-353-1, pp. 191–209.
- [VF02] William T. Vetterling and Brian P. Flannery, *Numerical Recipes in C++: The Art of Scientific Computing*, 2nd ed., Cambridge University Press, Cambridge (UK) and New York, 2002, ISBN 0-521-75033-4.

Citation

Antoine Jonquet, Olivier Nocent and Yannick Remion, <i>The Art to keep in touch: The "Good Use of Lagrange Multipliers</i> , Journal of Virtual Reality and Broadcasting, 4(2007), no. 15, January 2008, urn:nbn:de:0009-6-12767, ISSN 1860-2037.

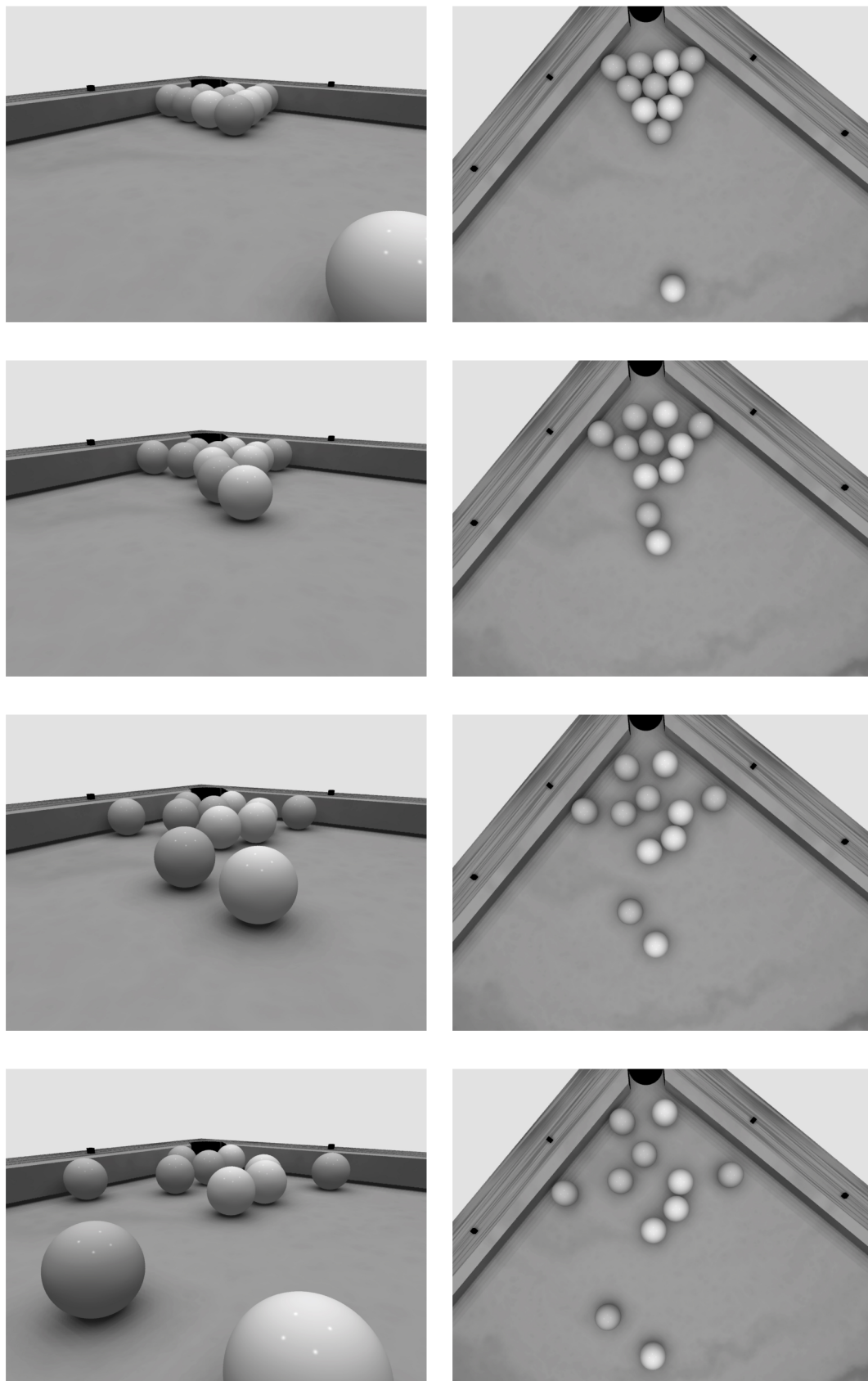


Figure 6: A billiard game session illustrating our algorithm for constraints management (11 balls and 77 inequality constraints).